

Food Processor Cutter Mixer 7 LT - Variable Speed

ITEM # _____

MODEL # _____

NAME # _____

SIS # _____

AIA # _____


600513 (K70YVV)

Cutter Mixer 7 lt bowl capacity, variable speed 300 to 3700 rpm. Supplied with micro toothed blade rotor and stainless steel bowl

Short Form Specification

Item No.

2 in 1 machine: table-mounted cutter and emulsifier thanks to the ergonomic and easily dismantlable scraper, in heavy duty composite material, for liquidising, mixing and mincing in a matter of seconds. Stainless steel 7 litre bowl with high chimney to increase the real capacity of the bowl. Unique bowl design for mixing both large or small quantities. Transparent lid to check consistency of food and to eventually add ingredients without having to open the lid. Hinged cover, when lifted, remains open to permit a fast and easy check of preparation. Micro toothed blades in 420 AISI stainless steel. All parts are easily dismantled and dishwasher safe. Multiple safety devices ensure the machine will only operate when the cover is properly closed and all parts are correctly positioned. Flat and waterproof control panel with on/off button, pulse function and variable speed (from 300 to 3700 rpm).

Main Features

- Table-mounted robust cutter and emulsifier allows fast liquidizing, mixing, chopping, mincing, and pastry-making.
- Easy to clean and waterproof control panel with flat on/off button and pulse function.
- Microswitch and safety devices on handle, lid and bowl.
- Emulsifier function (scraper) included as standard.
- Lid with central opening to add ingredients in mid-cycle.
- All parts in contact with food are removable without the use of tools, completely dismantlable and dishwasher safe.
- Pulse function for coarse chopping.
- Base fixed cover for a better handling.
- Productivity suitable for 50-150 meals per service

Construction

- Variable speed from 300 to 3700 rpm.
- Stainless steel 7 liter bowl has a high chimney to ensure high productivity also when processing liquids.
- Micro-toothed blades in 420 AISI stainless steel and ergonomic scraper in resistant composite material to ensure consistent mixing.
- Transparent lid incorporates a magnetic contact safety system.
- Improved ventilation system to manage smoothly heavy duty use.
- Reinforced feet to withstand the repeated handling of the unit.

Included Accessories

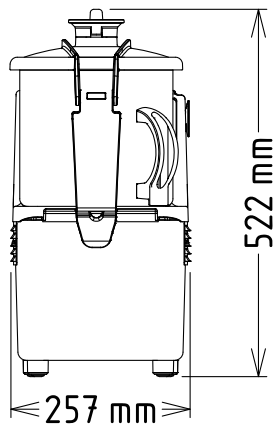
- 1 of Lid and bowl scraper for 7 lt PNC 650104 cutter mixer
- 1 of Stainless steel bowl for 7 lt PNC 653593 cutter mixer
- 1 of Microtoothed blade rotor for PNC 653874 7 lt cutter mixer

Optional Accessories

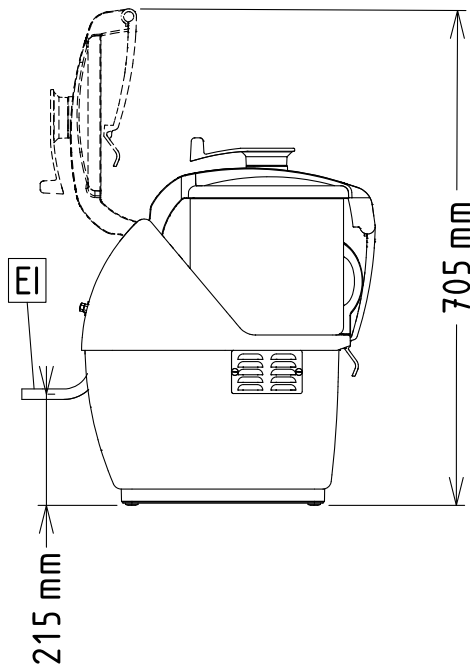
- Lid and bowl scraper for 7 lt PNC 650104 cutter mixer
- Stainless steel bowl for 7 lt cutter PNC 653593 mixer
- Smooth blade rotor for 7 lt cutter PNC 653881 mixer
- Microtoothed blade rotor (for PNC 653882 emulsions) for 7 lt cutter mixer

APPROVAL: _____

Front

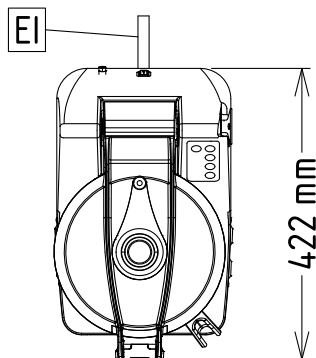


Side



EI = Electrical inlet (power)

Top



Electric

Supply voltage:	200-240 V/1N ph/50/60 Hz
Electrical power, max:	1.5 kW
Total Watts:	1.5 kW

Capacity:

Performance (up to):	3.5 kg/Cycle
Capacity:	7 litres

Key Information:

External dimensions, Width:	256 mm
External dimensions, Depth:	422 mm
External dimensions, Height:	522 mm
Shipping weight:	23 kg
Waterproof index:	IP23